



VRLA Rechargeable Battery

EP33-12 Standard Type



FEATURES

- Absorbent Glass Mat technology for efficient gas recombination
- Maintenance free(no water topping-up required)
- No free acid(Non-spillable battery)
- Can be used in any orientation(excluding used inverted)
- The battery is designed for heavy duty cyclic application


APPLICATIONS

- UPS
- Golf-Carts
- Wheelchairs
- Lawn Mowers



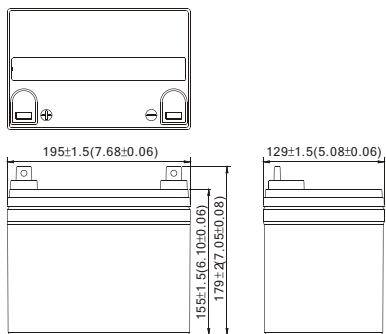
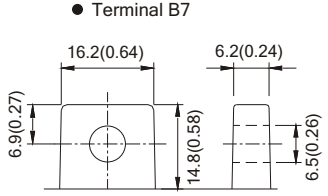
SPECIFICATIONS

Nominal Voltage	12 V
Nominal Capacity	33Ah @ 20 hour rate F.V.(1.75V/cell)
Approx. Weight	11500g(25.36lbs.)
Terminals	B7 (Fitting M6 bolt & nut)
Internal Resistance	≤9mΩ (Fully Charged)
Max. Discharge Current	495 A (5 sec.)
Max. Charge Current	9.9 A
Operating Temperature Range	Charge : 0°C~40°C(32°F~104°F) Discharge : -20°C~50°C(-4°F~122°F) Storage. : -20°C~40°C(-4°F~104°F)
Container Material	Standard: ABS(UL94 HB) EP33-12 Optional: Flame Retardant ABS(UL94 V-0) EP33-12FR



MH19884

- IEC 61056-1
- JIS C8702-1
- GB/T 19639.1

DIMENSION(mm/inch)	OUTER DIMENSIONS	TERMINAL TYPE
<ul style="list-style-type: none"> ■ Length 195±1.5 (7.68±0.06) ■ Width 129±1.5 (5.08±0.06) ■ Container Height 155±1.5 (6.10±0.06) ■ Total Height 179±2.0 (7.05±0.08) 		<p>● Terminal B7</p>  <p>[M6 BOLT & NUT]</p> <p>Terminal Hardware Initial Torque: B7(5.5Nm±5%)</p>

Constant power discharge characteristics at 25 °C/77 °F										Unit: W
F.V. (V/cell) \ Discharge Time	5 Min	10 Min	15 Min	30 Min	1 Hr	3 Hr	5 Hr	10 Hr	20 Hr	
1.80V	1075.0	808.0	654.3	393.6	228.2	96.2	66.50	37.05	19.38	
1.75V	1245.0	875.4	685.0	408.7	234.8	98.1	67.40	37.62	19.80	
1.70V	1320.0	907.0	705.7	417.7	239.0	99.0	67.90	37.81	19.89	
1.65V	1381.0	928.7	722.2	423.8	242.3	99.9	68.40	37.90	19.94	
1.60V	1424.0	947.1	736.4	428.1	244.7	100.4	68.40	37.90	19.94	

Constant current discharge characteristics at 25 °C/77 °F										Unit: A
F.V. (V/cell) \ Discharge Time	5 Min	10 Min	15 Min	30 Min	1 Hr	3 Hr	5 Hr	10 Hr	20 Hr	
1.80V	96.8	71.1	56.9	33.4	19.2	8.02	5.54	3.09	1.62	
1.75V	114.2	77.1	59.6	34.6	19.7	8.18	5.62	3.14	1.65	
1.70V	121.1	79.8	61.4	35.4	20.1	8.25	5.66	3.15	1.66	
1.65V	126.7	81.8	62.8	35.9	20.4	8.33	5.70	3.16	1.66	
1.60V	130.6	83.4	64.0	36.3	20.6	8.37	5.70	3.16	1.66	

All data and artworks shall be changed without prior notice, BB reserves the right to explain and update the information contained herein.

For operation, please refer to the instruction from technical manual.

B/1 REV. May, 2021

Powered by **B.B. Tech(Changsha)Co., Ltd.**